

Job Name: _____
 Location: _____
 Contact #: _____



Specifications

Model

- 400662 – Chrome finish
- 400663 – PVD brushed nickel finish

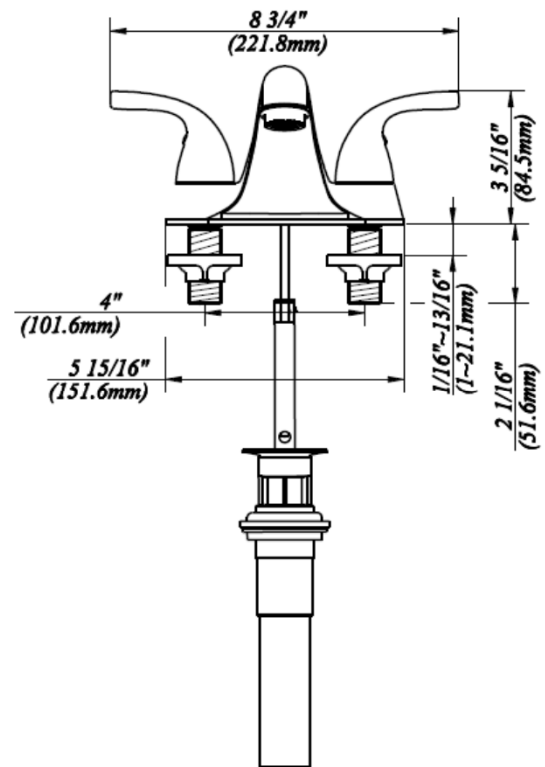
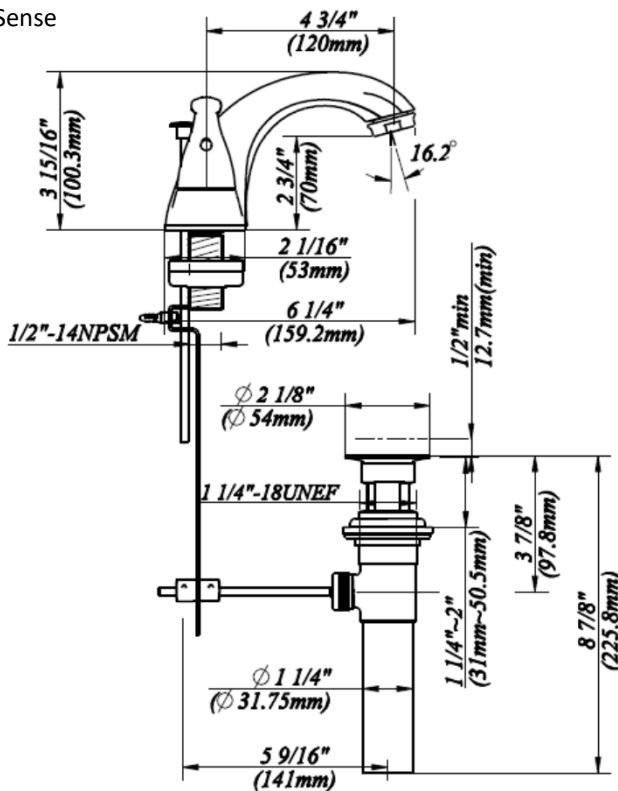
Description

- Ceramic disc cartridges
- Concealed hybrid body
- Metal Aerator Housing
- Brass pop up
- Metal lever handles
- Water saving aerator
- Max flow rate: 1.2GPM at 60Psi
- 100% factory pressure tested

Standards

- ASME A112.18.1M/A112.18.1
- IAPMO/cUPC
- NSF/ANSI 61 – Sec. 9
- NSF/ANSI 372
- ADA
- EPA WaterSense
- Galgreen
- * ≤ .25% Pb

Two Handle Lavatory Faucet



Technical Support

888-328-2383

Manufacturer model# F51B0037

Warranty Parts List

Two Handle Lavatory Faucet

#	Description	Part #
1	metal handle	A069912
2.1	index button-cold	A66G361C
2.2	index button-hot	A66G361H
3.1	handle adaptor-cold	A66D574C
3.2	handle adaptor-hot	A66D574H
4	retainer nut & washer	A663631
5.1	ceramic disc cartridge-cold	A507004N
5.2	ceramic disc cartridge-hot	A507003N
6	aerator	A500966N-54
7	putty plate	A011083
8	lift rod	A025088
9	pop-up assembly	A556200
10	Lock Nut Set	A504023

